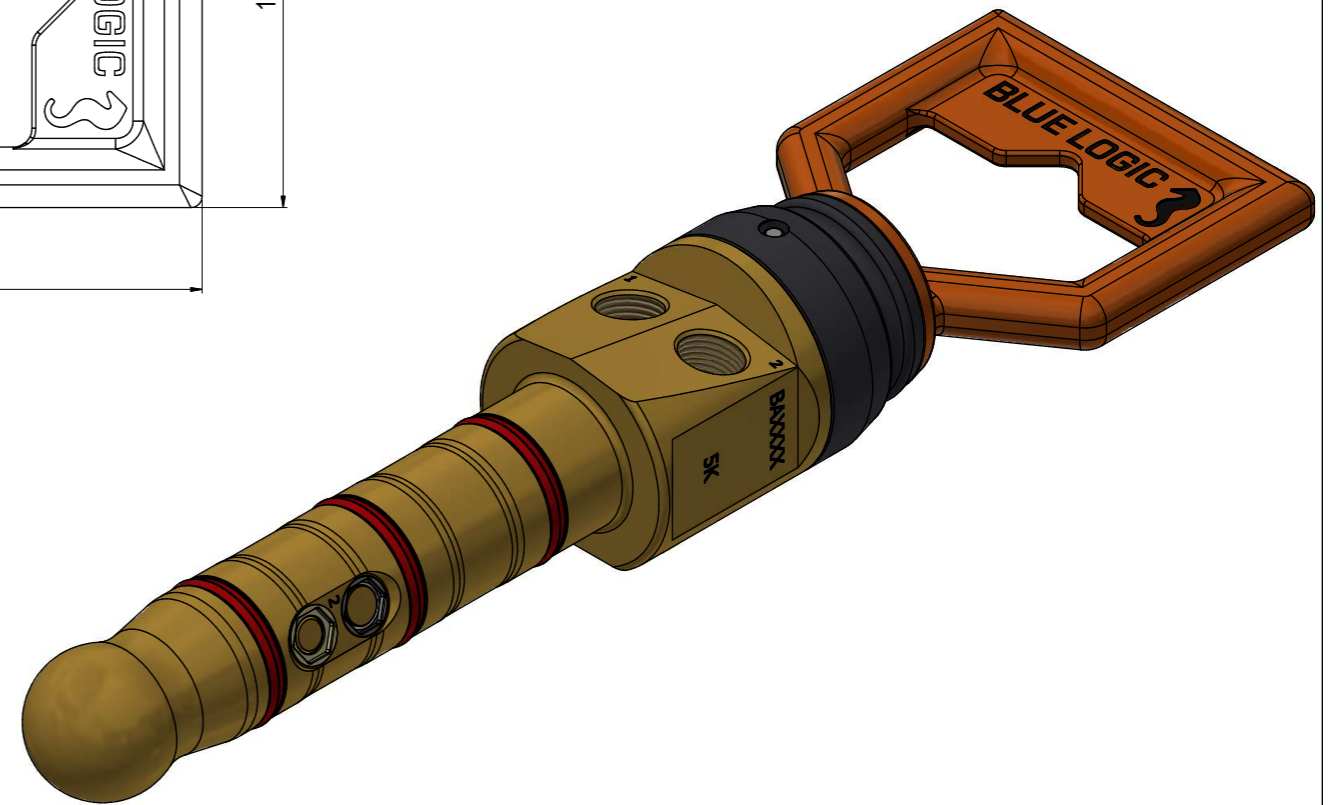
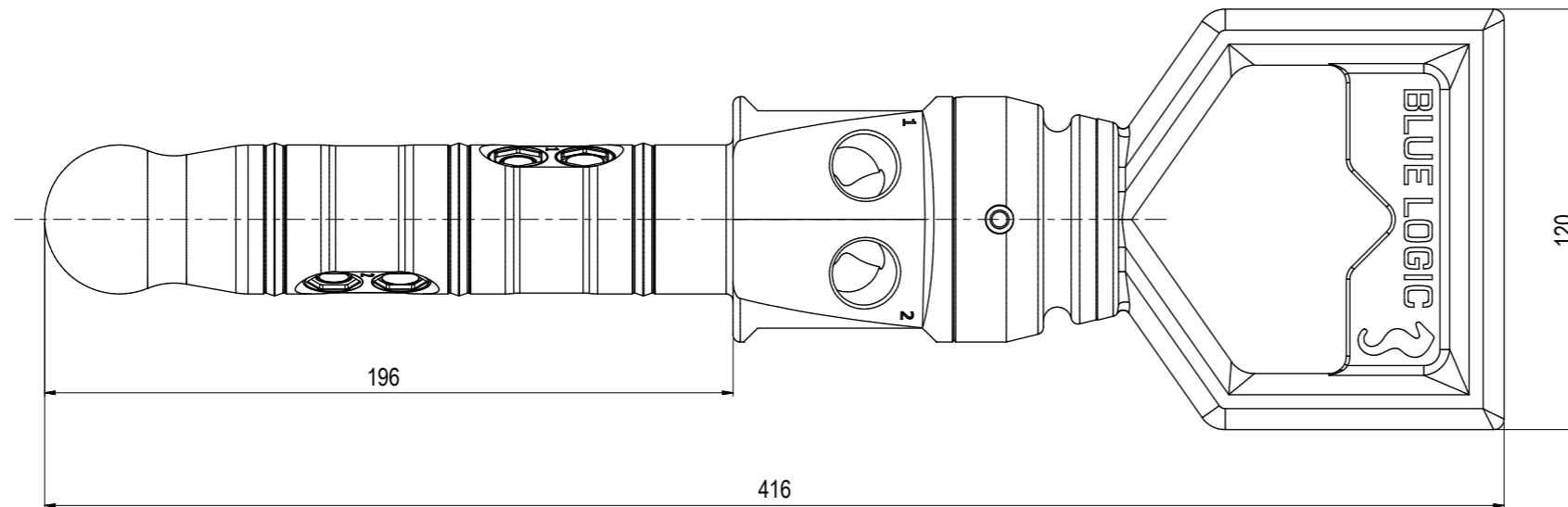
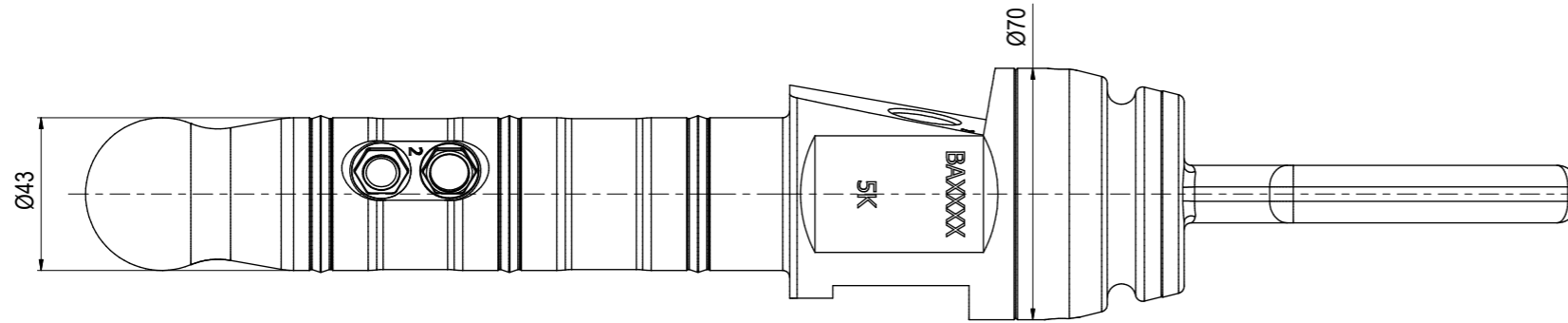


NOTE: 1
 DESIGN CODE:
 API 17H
 ISO 13628-8

NOTE: 2
 TECHNICAL CLASSIFICATION:
 Article Type: 001-Hot Stabs
 Main Group: 1.03. Ø43 Hot Stab
 Intermediate Group: 1.2.01. Stab
 Sub Group: 1.2.5.02. Dual

NOTE: 3
 INTERFACE INFORMATION:
 Pressure Rating Bar: 345
 Material: Intervention
 Weight: 4,2 kg
 Volume: 0,63 dm³
 Surface Area: 1353 cm²
 Hydraulic: BSP 1/2"
 Mechanical: N/A
 Electrical: N/A
 Com. & Protocol: N/A

NOTE: 4
 SPAREPARTS:
 BA5288



Rev.	Date	Reason for issue	Revision change	Made	Chk'd	Appr.
02	9.4.2026	9-IFU (Issued for Use)		WTJ	HNJ	WTJ
01	2.10.2015	9-IFU (Issued for Use)		HNJ	HSE	HNJ



This Drawing is the Property of Blue Logic AS © and must Not be Loaned, Reproduced or Transferred to others without written Permission

Dwg Scale:	NTS
Dwg Proj:	
Dwg Format:	A3

Drawing title:	Ø43 DP Stab 5k Interv wCV 0,5-0,5 BSP 1/2" ID11mm	
Drawing number:	BA7228	Rev: 02